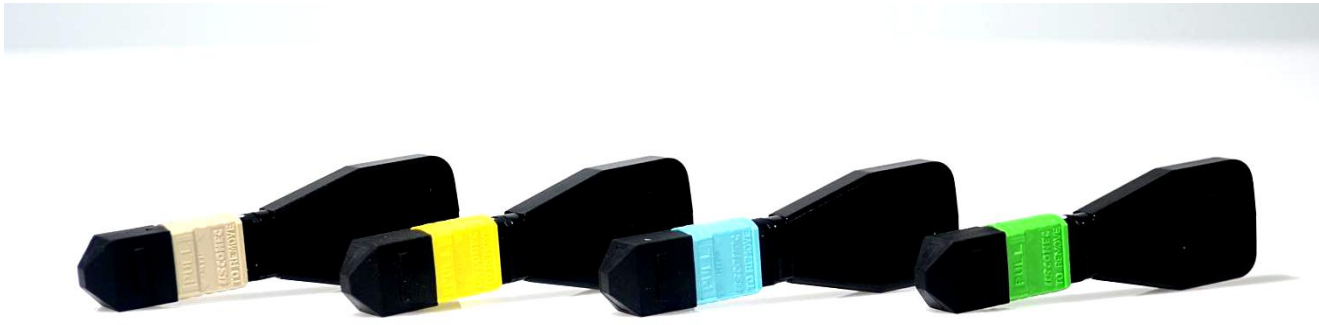


MPO/MTP Loopback Specification



Application

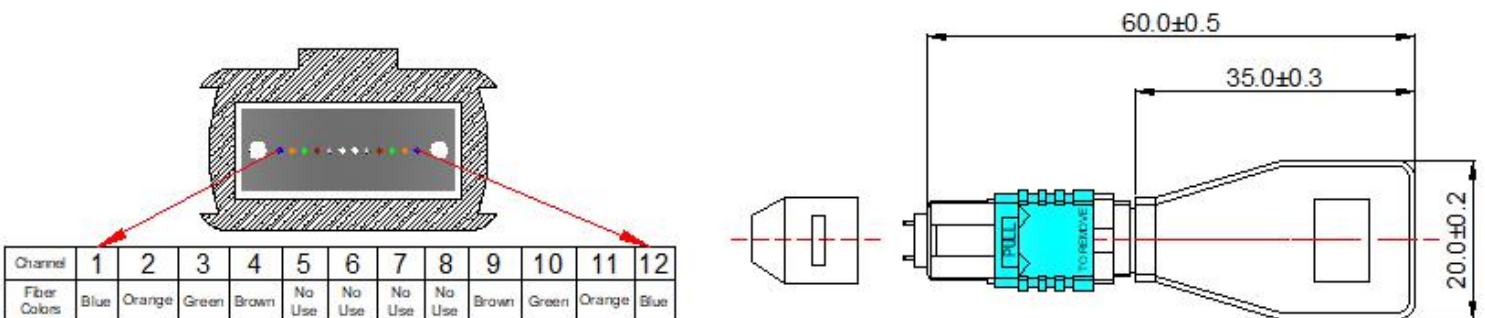
1. 40GbE QSFP+ Optical Testing
2. Research and Development
3. Manufacturing Test
4. Troubleshooting
5. Quality Control
6. Training

Features

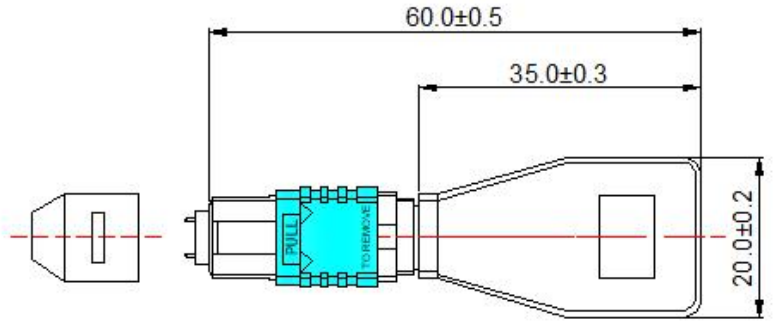
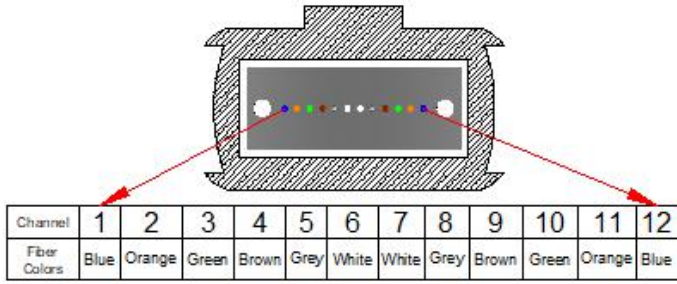
1. Available in a wide variety of wiring configurations and fiber types
2. All loopbacks meet TIA/EIA and IEC intermateability standards
3. 8, 12, and 24 Fiber available
4. Easy Installation/Removal, available with or without Pull tabs
5. Compact and portable with lanyard feature

Dimensional Diagrams

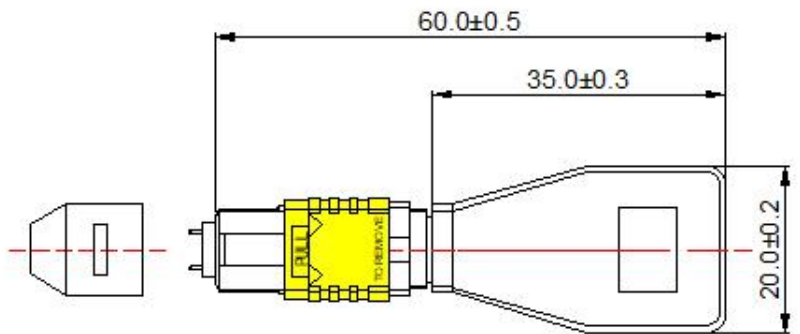
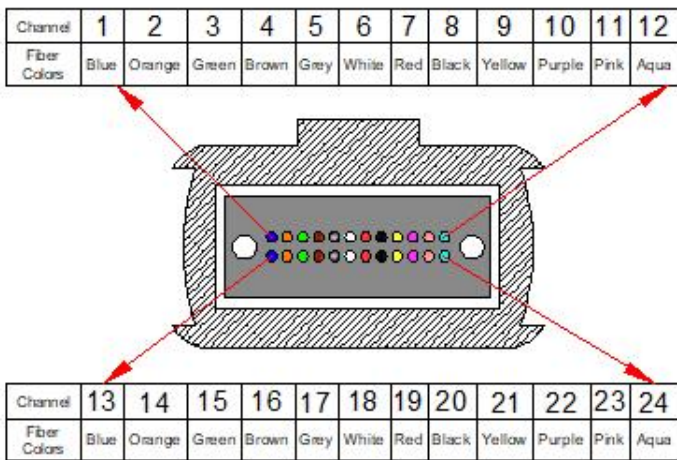
1. MPO/MTP Loopback 8 Fiber



2. MPO/MTP Loopback 12 Fiber



3. MPO/MTP Loopback 24 Fibe



MPO&MTP Optical Characteristics

Item	Parameter				Reference
	Single mode		Multimode		
	Standard	Elite	Standard	Elite	
Insertion loss	Typical≤0.30dB Max≤0.75dB	Typical≤0.15dB Max≤0.35dB	Typical≤0.50dB Max≤0.25dB	Typical≤0.10dB Max≤0.35dB	IEC 61300-3-34
Return loss	≥ 50dB (PC) ≥ 60dB (APC)	≥ 55dB (PC) ≥ 65dB (APC)	≥30dB(PC)	≥30dB(PC)	IEC 61300-3-6

End-Face Quality (SM)

Zone	Range (µm)	Scratches	Defects	Reference
A: Core	0 to 25	None	None	IEC 61300-3-35:2015
B: Cladding	25 to 115	None	None	
C: Adhesive	115 to 135	None	None	
D: Contact	135 to 250	None	None	
E: Rest of ferrule		None	None	

End-Face Quality (MM)

Zone	Range (μm)	Scratches	Defects	Reference
A: Core	0 to 65	None	None	IEC 61300-3-35:2015
B: Cladding	65 to 115	None	None	
C: Adhesive	115 to 135	None	None	
D: Contact	135 to 250	None	None	
E: Rest of ferrule		None	None	

MPO&MTP End-Face Geometry

Ferrule parameter		IEC-61300--3-30	
		Minimum	Maximum
ROC	ROC-X:	2000mm	∞
	ROC-Y:	50mm	∞
Angle	Angle-X:	-0.2°	0.2°
	Angle-Y:	PC	0.2°
		APC	7.85°
Fiber Hight:		1000nm	3500nm
Max.DH.All:		-300nm	300nm
DH.Adj:		-300nm	300nm
DH.Ave Fiber:		-300nm	300nm
Core Dip:	MM	-200nm	300nm
	SM	N/A	N/A
Ferrule height		7.9mm	8.05mm